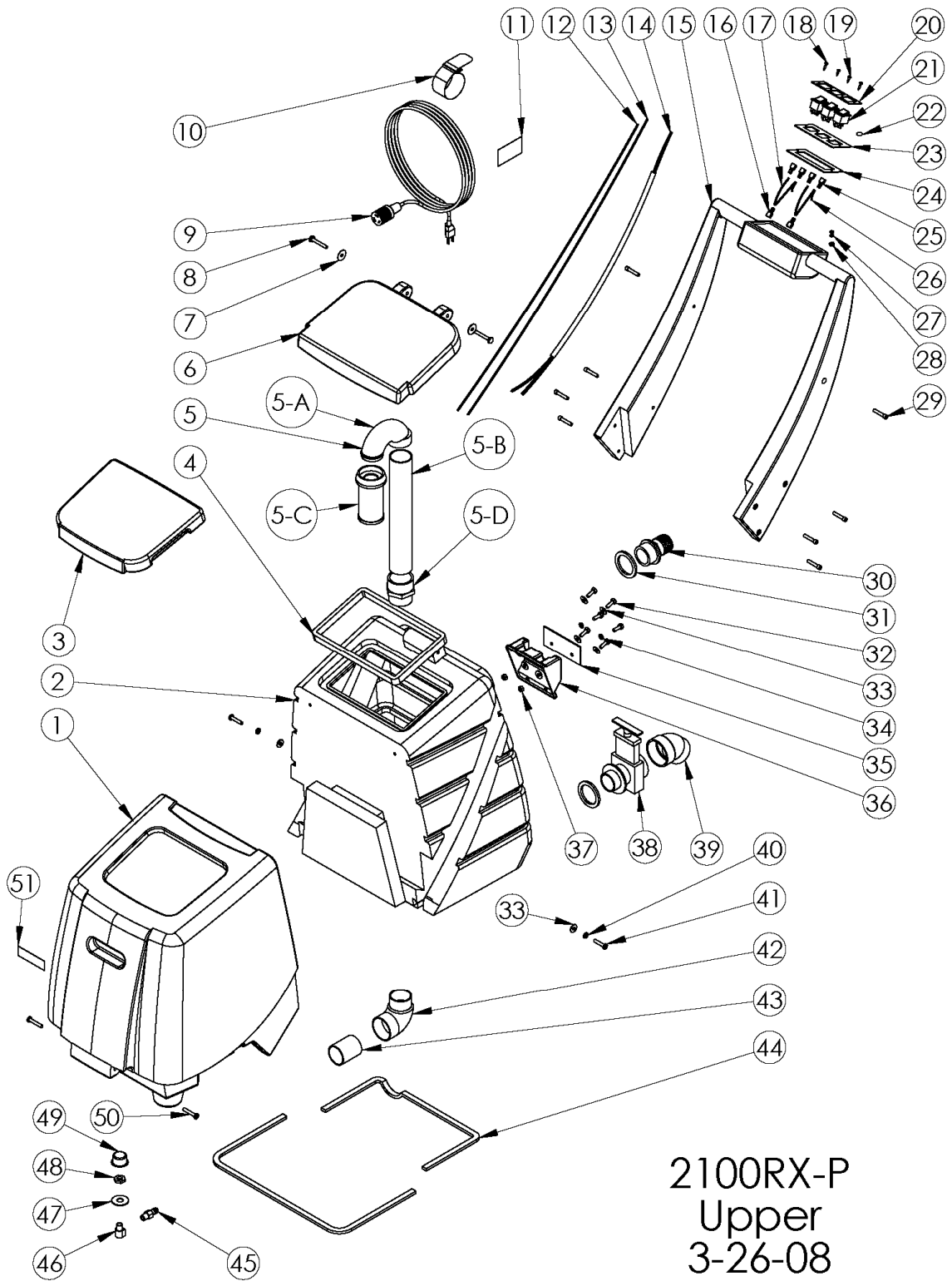


PARTS DIAGRAM SX2000 / SX2100 UPPER

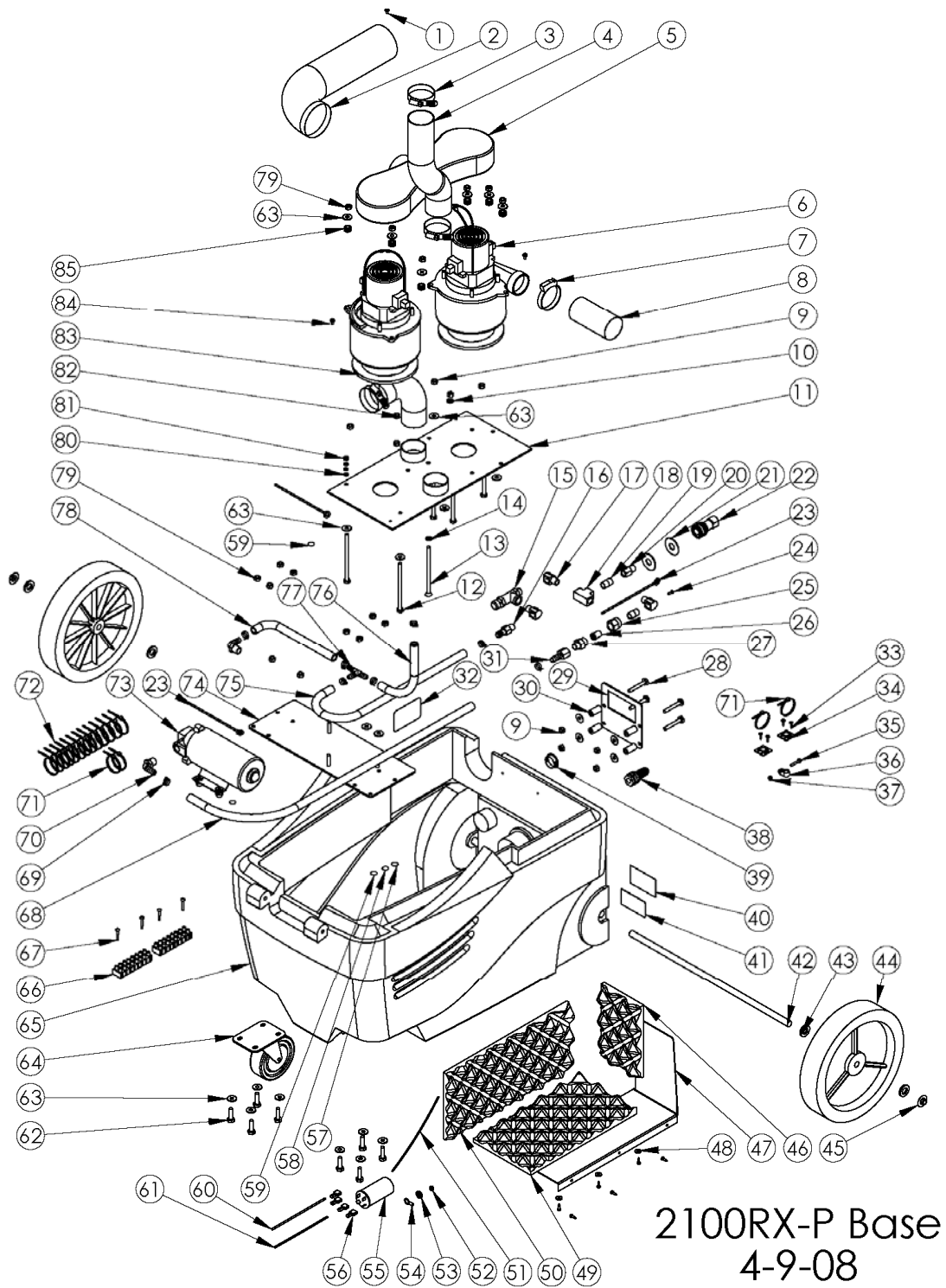


2100RX-P
Upper
3-26-08

PARTS LIST SX2000 / SX2100 UPPER

REF.	STOCK CODE	PART NO.	DESCRIPTION	QTY
1	E11787-P	F11787-P	SOLUTION TANK	1
2	E11870	F11788	RECOVERY TANK	1
3	E11791	F11791	LID, SOLUTION TANK	1
4	E11124	E11124	GASKET, RECOVERY TANK	1
5		12904A	STAND PIPE ASSEMBLY	1
5A		K11965	ELBOW, 180 DEG. FLOAT BALL	1
5B	E00919	K00672	PVC PIPE, 1.5 X 12 IN, SCH 40 WHT	1
5C	E10989A	10989-2A	FLOAT BALL SCREEN	1
5D	E00913-P	K00741	ADAPTER	1
6	E11785	F11785	LID, RECOVERY TANK	1
7		C12039	WASHER ¼ X 1 SS	2
8	E02322	C02322	BOLT ¼ X 20	2
9	BE4901	B02218-1	POWER CORD 25FT & 13A PLUG SET 220-240V CE	1
10	E11177	C11177	VELCRO STRAP	1
11		H02548-2	LABEL IMPORTANT CORD	1
12		B00185-30	WIRE 73"	1
13		B00185-40	WIRE 73"	1
14	E010314	B010314	WIRE HARNESS	1
15	E11786B-NL	F-11786-B-NL	HANDLE	1
16		B00177	TERMINAL LUG 0.25 X 0.032 16-14 AWG FULLY INSULATED	2
17		B00185-40	WIRE BLACK 5"	1
18	E00295-1	C00295-1	SCREW NO.10 ¾" BLACK PHILLIPS	2
19		C00293	SCREW NO.8 ½" BLACK PHILLIPS	2
20		D11168	COVER SWITCHPLATE	1
21	E02211-1	B02211-1	ROCKER SWITCH, GREEN ILLUMINATED 230V 16A	3
22		H10911	LABEL EARTH SYMBOL	1
23	E010284	D010284	SWITCHPLATE	1
24	E010453	E010453	GASKET, SWITCHPLATE	1
25		B00177-1	TERMINAL LUG 0.25 X 0.032	4
26		B00185-30	WIRE WHITE 5"	1
27		C02315	LOCK WASHER NO.10 SS	2
28		C00264	NUT 10-32	1
29	E11141	C11141	SCREW, ALLEN HEAD 10-24 X 1.25"	8
30	E00665-1	K00665-1	HOSE ADAPTOR 1.5" BLACK	1
31	KP00427	E00427	GASKET, ADAPTOR & DRAIN VALVE 2"	2
32		C00313	HEX BOLT ¼ X 20 X ¾	6
33	JE00233	C00233	WASHER FLAT ¼"	8
34		C02312	LOCK WASHER ¼" INT STAR	2
35	E010283	D010283	PLATE, HEATER MOUNTING	1
36		F11804	HEATER MOUNT	1
37	JE00261	C00261	NUT ¼ X 20 HEX	2
38	EN00711	K00711	DRAIN VALVE	1
	E00711RK	K00711-1	SEAL, DRAIN VALVE	2
39	EN00710	K00710	ELBOW DRAIN VALVE	1
40	JE00254	C00254	LOCK WASHER ¼" SPLIT	2
41	E02294	C02294	SCREW ¼ X 20 X 1.25	2
42	E11185	K11185	ELBOW 1 ½" PVC	1
43	E00672-1	K00672-1	PVC PIPE 1.5" X 2.25" SCH 40 WHITE	1
44	E11129	E11129	GASKET BASE 5FT	1
45	CH00060	A00060	3/8 BARB X ¼ MP BRASS	1
46	E00052	A00052	BRASS ELBOW ¼ M-F	1
47	JE00255	C11244	WASHER ½" PLATED	1
48	E00124	A00124	HEX NUT ¼ MPT BRASS	1
49	EH00373	D00373	SOLUTION FILTER ¼"	1
50		C11143	¼ X 20 X 1.5" SS PAN HEAD SS PHILLIPS	2
51		S11179	NON-SKID TAPE 1" ROLL	1

PARTS DIAGRAM SX2000 / SX2100 BASE

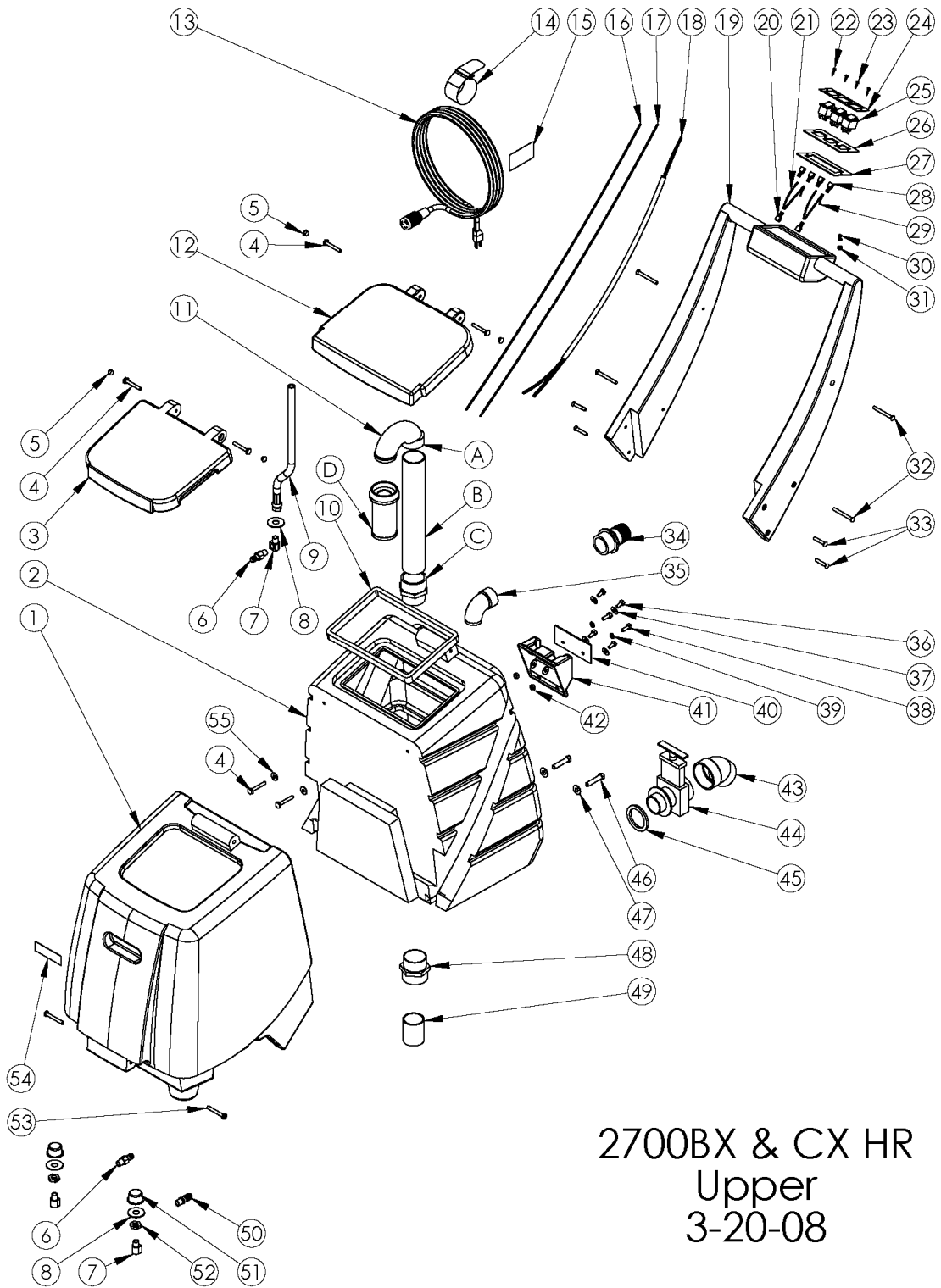


PARTS LIST SX2000 / SX2100 BASE

REF.	STOCK CODE	PART NO.	DESCRIPTION	QTY
1		C00297	SCREW,#8 X .25 IN, PAN HEAD	1
2		J11863	HOSE, 3 IN	1
3	TT00639	J00639	SCREW CLAMP, 1.63 - 2.43IN.	3
4	E00618	J00618	VACUUM HOSE, 2IN GREY, WIRE, 22 IN LG	1
5		F11178-BLK	INTERCOOLER, GALAXY, BLACK	1
6	LA4501E	117196-00	VACUUM MOTOR 230V 5.7" 3-STAGE W/CHOKE COIL SX2000 POWERFLO SX2100 POWERMAX	1 2
7		J00657	HOSE CLAMP, 2 IN SLDPRT	1
8	E00618	J00618	VACUUM HOSE, 2 IN GREY, WIRE, 4 IN LG	1
9	JE00261	C00261	NUT, .25-20, HEX	10
10		C00254	LOCK WASHER, 1-4IN SPLIT	1
11		D11134-1	PLATE,VACUUM BASE W-STUD	1
12		C11189	SCREW, 1-4 X 20 X 4.5 IN, HEX	5
13		C11516	SCREW, 1-4 X 20 X 4.5 IN, FLAT HEAD, PHILLIPS	1
14		C02312	LOCKWASHER, .25 IN., INTERNAL STAR	1
15	E11314	G11314	PRESSURE REGULATOR, 140 PSI	1
16	CH00060	A00060	3/8 BARB X 1/4 MP, BRASS	1
17	E00052	A00052	.25 X .375 M-F 90 DEG BRASS	3
18	E00161	A00161	TEE, .25 FP, BRASS	1
19	CH00111	A00111	NIPPLE, .25 IN	2
20	CH00121	A00121	FITTING, .25 MP X .25 FP, BRASS	1
21	JE00255	C11244	WASHER, .56 X 1.5 X .05	2
22	GU00102	A00102	QD, .25F X .25FP, BRASS	1
23	RS4924	B11150	GROUND WIRE 1.5MM GRN/YEL	3
24		C00302	RIVET, #41 SS	1
25	E00097-A	A00097A	CAP, INLINE FILTER	1
26	E00094E	A00094E	CHECK VALVE, NO STRAINER	1
27		A00094C	CHECK VALVE BODY	1
28	E02322	C02322	HEX BOLT,1-4 X 20 X 1.75 IN	4
29	E010379	D010379	HEATER MOUNTING PLATE	1
30		C11440	SPACER, HEATER MOUNTING PLATE	4
31	E00061	A00061	3-8 BARB X 1-4FP, BRASS	1
32	E02564-2	H02564-2	LABEL, CAUTION, MOTOR HOUSING	1
33		C00293	#8 X .5IN PAN, BLACK SMS, PHILLIPS	10
34	RS00192	B00192	MOUNT, NYLON TIE	2
35		C02321	8-32 X .88 PAN HEAD	1
36	E02200	B02200	CABLE CLAMP, 1202AC	1
37		C00280	HEX NUT, 8-32 BLACK ZINC	1
38	E11199	B11199	STRAIN RELIEF, PIGTAIL	1
39	E10510	K10510	PLUG, 1.25 IN, BLACK	1
40		H03545	COVER, SERIAL # LABEL	1
41	E00565-13	H00565-13	LABEL, SERIAL NUMBER,CE	1
42	E11170	D11170	AXLE	1
43	E00240	C00240	WASHER, SHOULDER, NYLON	4
44	E010313	G11767	WHEEL, 10 IN	2
45	E02305	C02305	CAP NUT, .5IN PUSH-ON	2
46		E11431	FOAM, 7 X 4.5 IN	1
47	E11432	D11432	COVER, MUFFLER	1
48	E03251	C03251	WASHER, .187 ID, BACKUP	3
49	E11429	E11429	FOAM, 12 X 6.5 IN	1
50	E11430	E11430	FOAM, 14 X 6.5 IN	1
51	RS4924	B00185-61	WIRE, 16GA, GRN-YEL, DNO	1
52		C90011	HEX NUT, METRIC, 8MM X 1.25	1
53	JE00251	C00251	LOCKWASHER, .31, SPLIT	1
54	RS4910	B00182	RING TERMINAL, .375 CENTRE	1
55	E90001A	B90001	FILTER, EMI-RFI, 250 VAC	1
56	RS4906	B00177	TERMINAL LUG, FEMALE, QD, .25 X .032, 16-14 AWG	4
57		H10914	LABEL, NEUTRAL	1
58		H10913	LABEL, LIVE	1
59		H10911	LABEL, EARTH SYMBOL	3
60	RS4918		WIRE, 1.5MM BLUE 6 IN	1
61	RS4919		WIRE, 1.5MM BROWN 6 IN	1
62	E00314-1	C00314-1	HEX BOLT, 1-4 X 20 X 1IN	8
63	JE00233	C00233	WASHER, FLAT, .25 IN	26

64	E03518	G03518	CASTER, 4 IN	2
65	E11789	F11789	BASE	1
66	E11308	B11308	TERMINAL BLOCK, 8 POLE	2
67	E11165	C11165	SCREW, # 8 X 1 IN, PAN, BLACK	4
68	E00613	J00613B	SOLUTION HOSE, .375 IN, BLACK X 32	1
69	TT00640	J11508	SCREW CLAMP #6, .43 TO .875 IN	8
70	FJ00051	A00054	ELBOW, 90, .375MP X .375B, NYLON	2
71	RS4907	B00191	NYLON TIE, 11IN BLACK	4
72	RS00190	B00190	NYLON TIE, 4IN	13
73	FJ4401B FJ44010 PC809147	R2100818A R3C11242A 8090-945-270	PUMP FLOJET BY-PASS 70PSI 230V (POWERPLUS SX2000) PUMP FLOJET TRIPLEX 100PSI 230V (POWERMAX SX2100) PUMP SHURFLO 120PSI 230V (ALTERNATE SX2100)	1 1
74	E11194	D11194	PUMP PLATE	1
75	E00613	J00613B	SOLUTION HOSE, .375 X 26 IN, BLACK	1
76	E11154	J11154	SOLUTION HOSE, .375 X 10 IN, WIRE REINFORCED	1
77	E11243	A11243	TEE, .375B X .375B X .375B, NYLON	1
78	E11154	J11154	SOLUTION HOSE, .375 X 6 IN, WIRE REINFORCED	1
79	JE00273	C00273	LOCKNUT, 1-4 X 20, NYLON, SS	16
80		C02315	LOCKWASHER, #10 INT. STR, SS	3
81		C00264	NUT, 10-32	1
82	E00618	J00618	VACUUM HOSE, 2 IN GREY, WIRE, 7 IN LG	1
83	PC807110	E11169	GASKET, VAC MOTOR	2
84		C00284	SCREW, 10-32 X .375 GROUND	2
85	E00449	E00449	GROMMET	6
			ITEMS NOT SHOWN	
-	PF00616		VACUUM HOSE 1 1/2" SX2000 POWERFLO (FT) SX2100 POWERMAX (FT)	15 25
-	PR3005E-H		VACUUM & HP SOLUTION HOSE ASSEMBLY 25FT	1
-	PF00625		HOSE CUFF 1 1/2"	2
-	E5006		HP SOLUTION HOSE ASSEMBLY 15FT (SX2000)	1
-	E5001		HP SOLUTION HOSE ASSEMBLY 25FT (SX2100)	1

PARTS DIAGRAM SX2700 / SX2750 UPPER

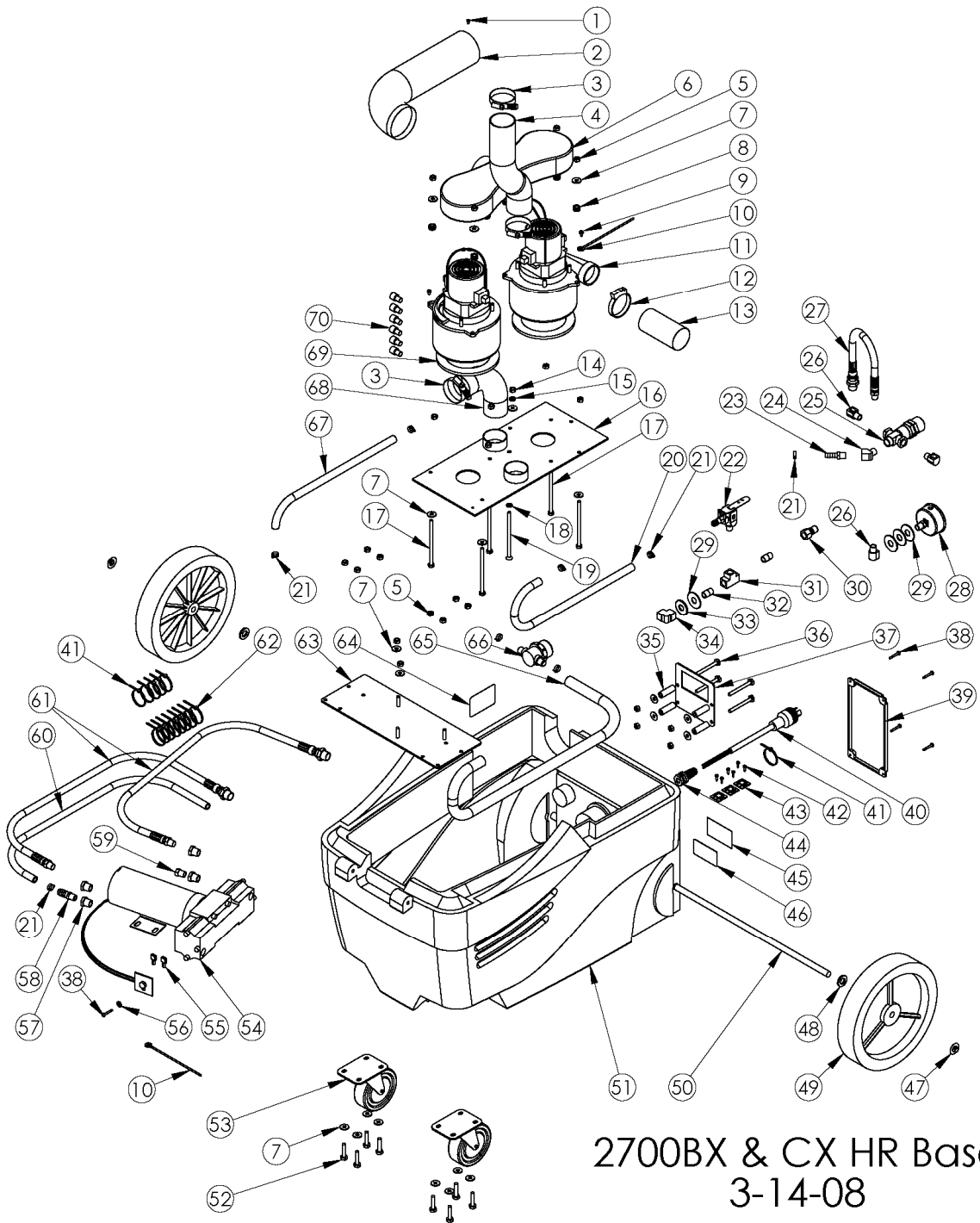


2700BX & CX HR
Upper
3-20-08

PARTS LIST SX2700 / SX2750 UPPER

REF.	STOCK CODE	PART NO.	DESCRIPTION	QTY
1	E11787-1	F11787-1	SOLUTION TANK	1
2	E11788-1	F11788-1	RECOVERY TANK	1
3	E11791-1	F11791-1	LID, SOLUTION TANK	1
4	E11167	C11167	SCREW ¼ - 20 X ¾ SS	6
5	E02714	K02714	PLUG 0.500	4
6	CH00060	A00060	3/8 BARB X ¼ MP BRASS	2
7	E00052	A00052	90 ELBOW ¼ M-F	3
8	JE00255	C11244	WASHER ½" PLATED	3
9		00580-16.5	HOSE ASSY. 16.5" X ¼"	1
10	E11836	E11836	LID GASKET	1
11		12905A	STAND PIPE ASSY	1
11A		K11965	ELBOW 180	1
11B	E00919	K00672	PVC PIPE 1 ½" X 14 ¾" SCH 40 WHITE	1
11C	E00913-P	K00741	PIPE ADAPTER 1 ½" SCH 40 WHITE	1
11D	E10989A	10989-2A	FLOAT BALL SCREEN	1
12	E11785-1	F11785-1	LID, RECOVERY	1
13	BE4901	B11769	POWER CORD 25FT & 13A PLUG SET 220-240V CE	1
14	E11177	C11177	VELCRO STRAP	1
15		H02548-2	LABEL, IMPORTANT CORD	1
16		B00185-30	WIRE 73"	1
17		B00185-40	WIRE 73"	1
18	E010314	B010314	WIRE HARNESS	1
19	E11786-1	F11786-1	HANDLE	1
20		B00177	TERMINAL LUG 0.25 X 0.032 16-14 AWG FULLY INSULATED	2
21		B00185-40	WIRE 10" 14 GA BLACK UL1015	1
22	E00295-1	C00295-1	SCREW NO.10 ¾" BLACK PHILLIPS	2
23		C00293	SCREW NO.8 ½" BLACK PHILLIPS	2
24		D11168	COVER, SWITCHPLATE	1
25	E02211-1	B02211-1	ROCKER SWITCH ILLUMINATED GREEN 230V 16A	3
26	E010284	D010284	SWITCHPLATE	1
27	E010453	D010453	GASKET, SWITCHPLATE	1
28		B00177-1	TERMINAL LUG 0.25 X 0.032	4
29		B00185-30	WIRE WHITE 5"	1
30		C02315	LOCK WASHER NO.10 SS	2
31		C00264	NUT 10-32	1
32	E00288-1	C00288-1	SCREW ¼ - 20 X 2 ¼" C/S	4
33	E00288	C00288	SCREW ¼ - 20 X 1 ½" C/S	4
34	E00665-1	K00665-1	HOSE ADAPTER 1 ½" BLACK	1
35	EN00666	K00666	ELBOW 90 1 ½" WHITE	1
36	E00314-1	C00314-1	HEX BOLT ¼ X 20 X 1" ZINC	4
37	JE00233	C00233	¼ FLAT WASHER	6
38		C00313	HEX BOLT ¼ X 20 X ¾ SS	2
39		C02312	¼ LOCK WASHER INT STAR	2
40	E010283	D010283	PLATE, HEATER MOUNT	1
41		F11804	HEATER MOUNT	1
42	JE00261	C00261	NUT ¼ - 20 HEX	2
43	EN00710	K00710	ELBOW, DRAIN VALVE	1
44	EN00711	K00711	DRAIN VALVE	1
45	KP00427	E11128	GASKET DRAIN VALVE	1
46	E12110	C12110	HEX BOLT 3/8" - 16 X 1 ¾"	2
47	E11540	C11540	WASHER 3/8"	2
48	E00913-P	K00741	PIPE ADAPTER 1 ½" WHITE PVC	1
49	E00672-1	K00672-1	PVC PIPE 1 ½" X 2 ¼" SCH 40 WHITE	1
50		A90004	0.5" BARB X ¼ MP BRASS	1
51	EH00373	D00373	INLET FILTER	2
52	E00124	A00124	HEX NUT ¼ NPT BRASS	2
53		C11144	SCREW ¼ - 20 X 2" SS	2
54		S11179	NON-SKID TAPE 1" ROLL	1
55	E00448-1	C00238	WASHER 5/8 NEO STEEL SS	2

PARTS DIAGRAM SX2700 / SX2750 BASE

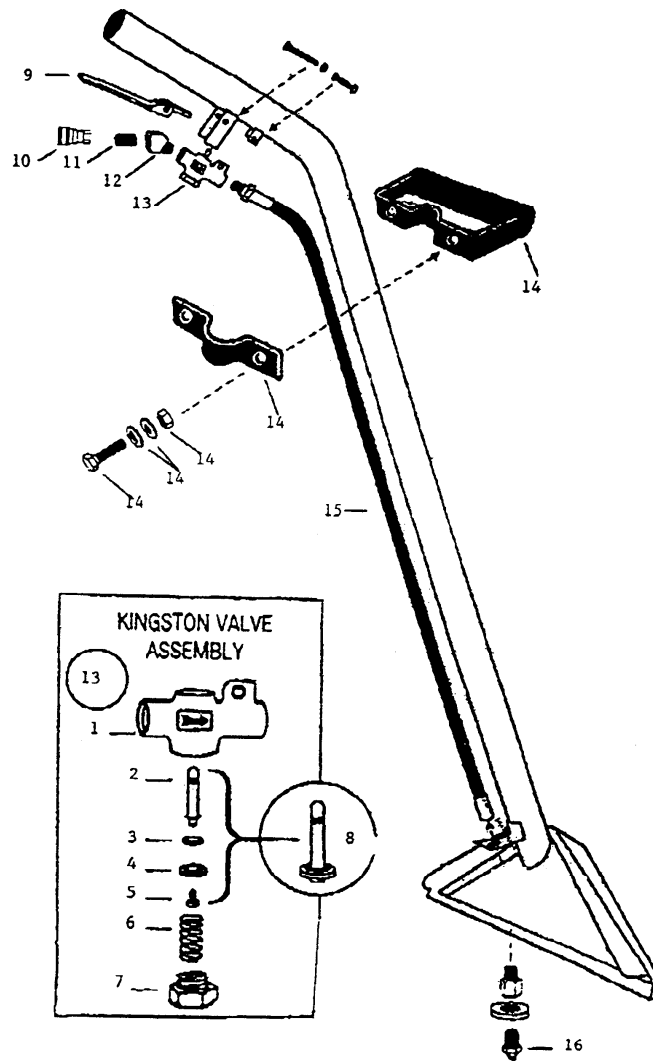


PARTS LIST SX2700 / SX2750 BASE

REF.	STOCK CODE	PART NO.	DESCRIPTION	QTY
1		C00297	SCREW,#8 X .25 IN, PAN HEAD	1
2		J11863	HOSE, 3 IN	1
3	TT00639	J00639	SCREW CLAMP, 1.63 - 2.43IN.	3
4	E00618	J00618	VACUUM HOSE, 2IN GREY, WIRE, 22 IN LG	1
5	JE00273	C00273	LOCK NUT ¼-20 NYLON SS	16
6		F11178-BLK	INTERCOOLER, GALAXY, BLACK	1
7	JE00233	C00233	FLAT WASHER ¼"	26
8	E00449	E00449	GROMMET	6
9		C00284	SCREW 10-32 X 0.375 EARTH	2
10	RS4924	B11150	EARTH WIRE GREEN / YELLOW 1.5MM	2
11	LA4501E	117196-00	VACUUM MOTOR 230V 5.7" 3-STAGE W/CHOKE COIL	2
12		J00657	HOSE CLAMP 2" SLDPRT	1
13	E00618	J00618	VACUUM HOSE 2" WIRE 4"	1
14	JE00261	C00261	NUT ¼ - 20 HEX	10
15		C00254	LOCK WASHER ¼ SPLIT	1
16	E11134	D11134	VAC PLATE	1
17		C11189	SCREW ¼ - 20 X 4 ½" HEX	5
18		C02312	LOCK WASHER ¼ INT STAR	1
19		C11516	SCREW ¼ - 20 X 4 ½" FLAT HEAD PHILLIPS	1
20	E11154	J11154	SOLUTION HOSE 3/8 X 31" WIRED	1
21		J11508	SCREW CLAMP NO.6 0.43" TO 0.875"	8
22		G11904	POWER PRIME (SX2750)	1
23	CH00060	A00060	3/8 BARB X ¼ MP, BRASS	1
24	E00053	A00053	45 ELBOW BRASS ¼ MP X ¼ FP	1
25	E13154	G13154	PRESSURE REGULATOR (SX2750)	1
26	E00052	A00052	90 ELBOW BRASS ¼ MP X ¼ FP	3
27		00580-13	HOSE ASSY 13" X ¼" HP	1
28	E00516-3	G00516-3	PRESSURE GAUGE 0 – 600PSI (SX2750)	1
29	JE00255	C11244	WASHER, .56 X 1.5 X .05	4
30	GU00104	A00104	MALE QUICK CONNECT ¼" BRASS	1
31	E00161	A00161	TEE BRASS ¼ FP	1
32	CH00111	A00111	¼ NIPPLE BRASS	2
33		C00232	FLAT WASHER ½"	1
34		A00154	90 ELBOW BRASS ¼ NPT X ¼ NPT	1
35	E10691	K10691	PVC PIPE ¼" X 1 ½" SCH 80	4
36		C02291	SCREW ¼ - 20 X 2 ½"	4
37	E10379	D10379	HEATER MOUNTING PLATE	1
38	E11165	C11165	SCREW NO.8 X 1" PAN BLACK	5
39		F11790-1	COVER, HEATER TUNNEL	1
40		B11779	STUB 12-3 SJTW YELLOW	1
41	RS4907	B00191	NYLON TIE 11"	6
42		C00293	SCREW NO.8 X ½" PAN BLACK SMS PHILLIPS	6
43	RS00192	B00192	CABLE TIE HOLDER	3
44	E11199	B11199	CABLE STRAIN RELIEF	1
45		H03545	COVER, SERIAL LABEL	1
46	E00565-13	H00565-5	SERIAL LABEL	1
47	E02305-1	C02305	CAP NUT ½" PUSH-ON	2
48	E00240	C00240	SHOULDER WASHER NYLON	2
49	E010313	G11767	WHEEL 10"	2
50	E11170	D11170	AXLE	1
51	E11789-1	F11789-1	BASE	1
52	E02310	C02310	HEX BOLT ¼ -20 X 1 ¼"	8
53	E03518	G03518	CASTER WHEEL 4"	2
54	FJ44010 PC809147 E13161	R3C11242A 8090-945-270 300036	PUMP FLOJET TRIPLEX 100PSI 230V (SX2700) PUMP SHURFLO 120PSI 230V (ALTERNATE SX2700) PUMP 500PSI 230V (SX2750)	1 1 1
55	RS4906	B00177	TERMINAL LUG, FEMALE, QD, .25 X .032, 16-14 AWG	2
56	E03251	C03251	WASHER 3/16"	1
57	E00168	A00168	BRASS BUSHING 3/8M X 1/4"F	4
58		A90004	BARB, BRASS ½" X ¼" M	1
59		A00155	MALE PLUG ¼" NYLON	1
60		J11933	HOSE, ½" POLYWIRE PVC 32"	1
61		J00632	PULSE HOSE PUMP QD 42"	2
62	RS00190	B00190	NYLON TIE 4"	8
63		D13128	PUMP PLATE 500PSI (SX2750)	1

64	E02564-2	H02564-2	WARNING LABEL – ELECTRIC SHOCK	1
65		J11933	HOSE, ½" POLYWIRE PVC 30"	1
66		K11935	STRAINER IN-LINE 0.5"	1
67	E11154	J11154	SOLUTION HOSE 3/8" X 27" WIRE REINFORCED	1
68	E00618	J00618	VACUUM HOSE 2" WIRE X 7"	1
69	PC807110	E11169	GASKET VAC MOTOR	2
70		B00179-2	CLOSED END CONNECTOR 16-3	6

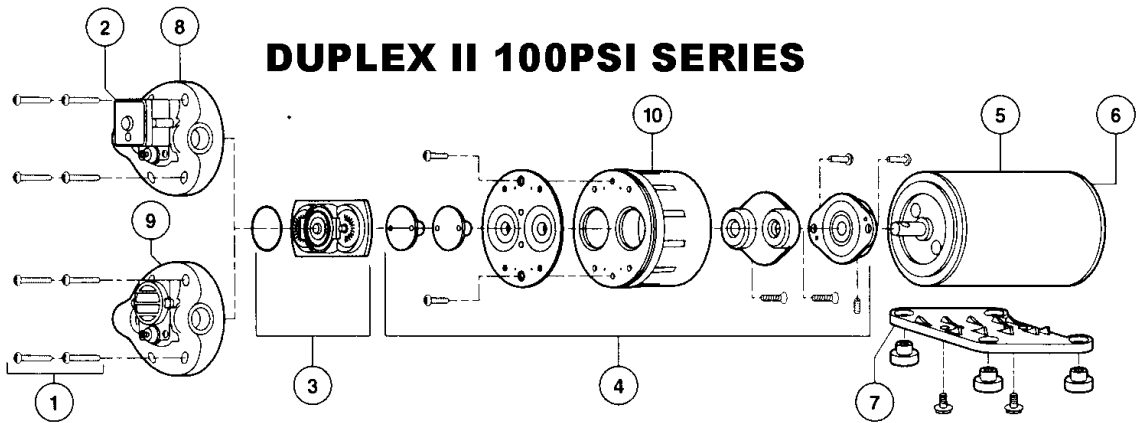
WAND PARTS LIST



REF.	STOCK CODE	PART NO.	DESCRIPTION	QTY
1	E00526	G00526	KINGSTON VALVE (ASSEMBLY)	1
2	E00834	M00834	K-VALVE STEM	1
3	KP4002	BS006	K-VALVE O-RING	1
4	E00839	M00839	K-VALVE CAGE	1
5	E00838	M00838	K-VALVE SCREW	1
6	E00835	M00835	K-VALVE SPRING	1
7	E00833	M00833	K-VALVE CAP	1
8	E00836	M00836	K-VALVE PLUNGER ASSEMBLY	1
9	E00832-A	D03424	LEVER, KINGSTON VALVE	1
-	RS5207	130-678	SCREW STAINLESS	1
-	RS5208	521-939	LOCKING NUT STAINLESS	1
10	GU00102	A00102	FEMALE QUICK CONNECT 1/4F	1
11	CH00111	A00111	¼ CLOSE NIPPLE, BRASS	1
12	E00053	A00053	¼ ELBOW 45° BRASS	1
13	E00526	G00526	KINGSTON VALVE ASSEMBLY	1
	CM5001	CMPV1175	K-VALVE (NEW STYLE)	
14	PC876168	81033AC	WAND HANDLE ASSEMBLY	1
15	-	00601-47A	HOSE ASSEMBLY	1
16	LR6301	TP11006	SPRAY TIP 11006 BRASS (SINGLE JET SX2000)	1
	LR5202	28-03F110	SPRAY TIP 11003 BRASS (DUAL JET SX2100)	2
			SPRAY TIP 11001 BRASS (DUAL JET SX2750)	2
-	DE4920	4193A-5-50SS	BALL CHECK VALVE 50 MESH	1
-	DE4906	A011670013	¼ NOZZLE BODY BRASS	1
-	DE4907	A011650015	BODY CAP, BRASS	1

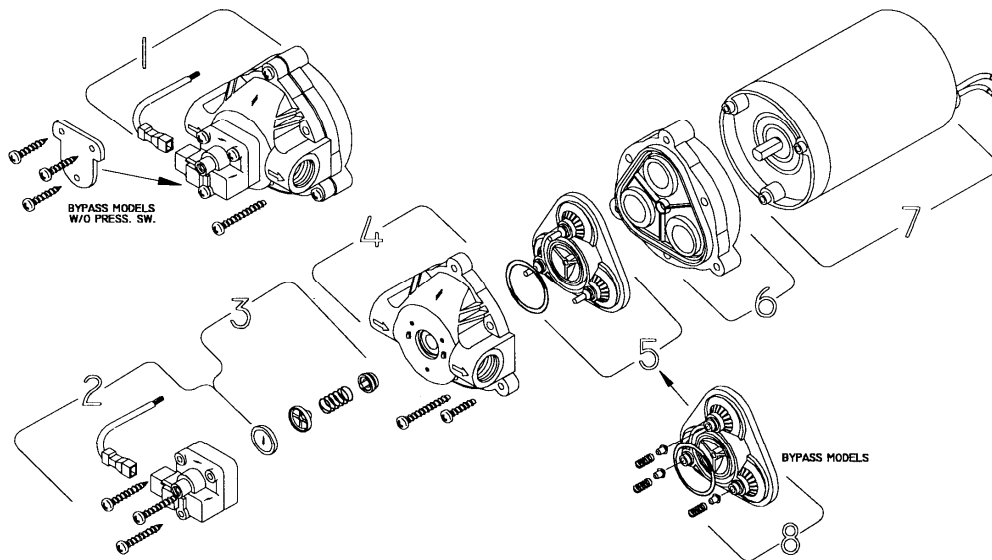
PUMP PARTS LIST

DUPLEX II 100PSI SERIES



REF.	STOCK CODE	PART NO.	DESCRIPTION	QTY
	FJ4401B	D1735H7011	FLOJET PUMP 230V 70 PSI CE	
1	FJ4429	20131001	PUMP SCREWS	4
2			PRESSURE SWITCH ASSEMBLY (SEE ITEM REF.8)	1
3	FJ5508	20914003	CHECK VALVE ASSEMBLY	1
4	FJ5007	21006033	DIAPHRAGM / CAM BEARING ASSEMBLY	1
5	FJ5009	R2039117	MOTOR ASSEMBLY 230V	1
6			MOTOR REAR END BELL ASSEMBLY (SEE ITEM REF.5)	1
7	FJ4409	11028101	BASE PLATE / GROMMET ASSEMBLY	1
8	FJ5010	21009000	UPPER HOUSING (SWITCH BY-PASS)	1
10			BEARING COVER (SEE ITEM REF.4)	1

SHURFLO PUMP 100PSI



REF.	STOCK CODE	PART NO.	DESCRIPTION	QTY
	PC809147	8090-945-270	SHURFLO PUMP 100PSI 230V BY-PASS	1
1	SH5202	94-382-39	PUMP HEAD ASSEMBLY	1
2	SH5201	94-229-08	PRESSURE SWITCH (NOT FITTED ON BY-PASS MODEL)	1
3	PC809333	94-374-16	CHECK VALVE	1
4	SH5205	94-379-01	UPPER HOUSING	1
5			VALVE KIT	1
6	SH5203 SH5209	94-385-30 94-238-03	PUMP DRIVE WITH SOLID DIAPHRAGM PUMP DRIVE WITH DIAPHRAGM	1
7	SH5204 SH5207	11-201-00 94-003-01	MOTOR 230V ENDBELL BRUSH KIT 230V	1 1
8	PC809337	94-391-26	VALVE KIT	1

WIRING DIAGRAM

MODELS SX2100 & 2700
220 – 240V 50Hz

